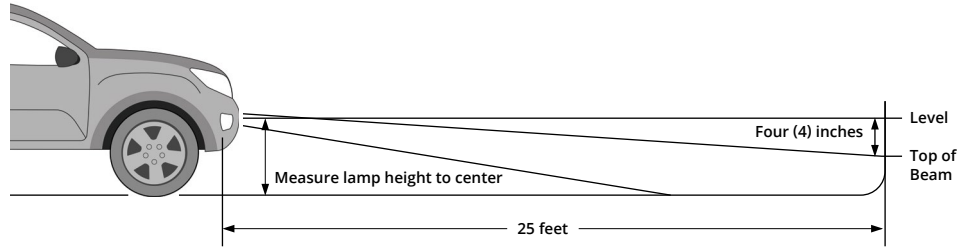


7. Park your vehicle 25 feet away from a wall or garage door on a level surface.
8. Loosen the 5/32" allen bolts on each side of your SS3 pod, just enough to allow you to adjust the pod.
9. On your vehicle, measure the distance between the ground and the center of your SS3 pod. This is your mounting height.
10. Mark the mounting height on the wall or garage door using tape.
11. Add another piece of tape four inches below the mounting height. This is your fog light cutoff line.
12. Aim your SS3 pods on each side, so that the top of the beam pattern is on the cutoff line mark.
13. Tighten the 5/32" allen bolts back down to complete the installation.



Please contact **Diode Dynamics** should you have any questions about the installation or wiring process, at **314-205-3033** (10a-5p CST) or **contact@diodedynamics.com**.

**NEED MORE HELP?**

Scan the QR code to link to our installation video online!

We've taken the time to test our products on your vehicle. We can guarantee compatibility and fitment the first time – no guessing game! If you need more help with installation, watch our step-by-step video to walk you through the process.

YouTube



**This installation guide is for the following SKUs:**

- DD6838** Worklight SS3 Sport Type SV1 Kit White SAE Driving
- DD6839** Worklight SS3 Sport Type SV1 Kit White SAE Fog
- DD6840** Worklight SS3 Sport Type SV1 Kit Yellow SAE Fog
- DD6841** Worklight SS3 Pro Type SV1 Kit White SAE Driving

- DD6842** Worklight SS3 Pro Type SV1 Kit White SAE Fog
- DD6843** Worklight SS3 Pro Type SV1 Kit Yellow SAE Fog
- DD6844** Worklight SS3 Max Type SV1 Kit White SAE Fog
- DD6845** Worklight SS3 Max Type SV1 Kit Yellow SAE Fog

100% SATISFACTION  
GUARANTEE

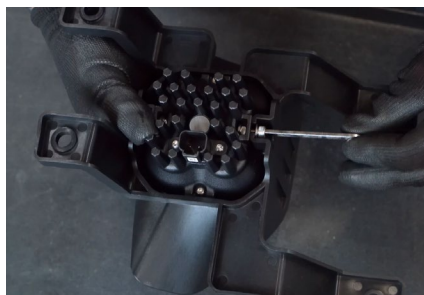
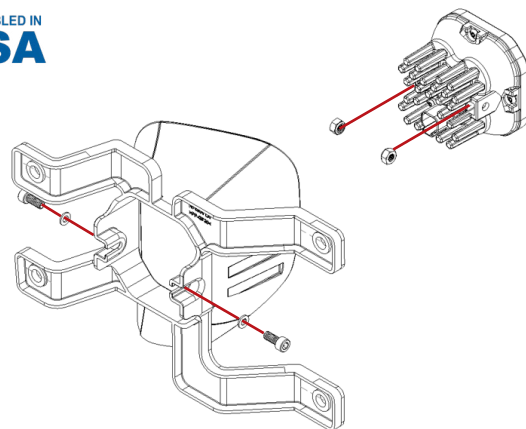
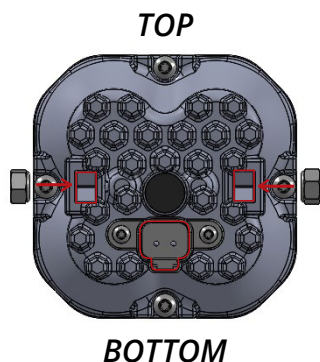


Thank you for your purchase of our new SS3 Type SV1 Foglight Kit. CAD-designed to use existing mounting points, this kit is compatible with the 2016-2018 Chevy Silverado 1500 and the 2019 Chevy Silverado 1500 LD. Installation instructions are included below.

**Please contact us if you have any questions.**

COMPUTER DESIGNED  
**OEM FITMENT**

ASSEMBLED IN  
**USA**



1. Install the supplied nuts into the pod housing with the nylon facing inward. Attach the bracket to the pod using the supplied screws and washers. See diagrams above. The screws will also determine the aim of your SS3 pods. Ensure that the screws are tightened such that the pod retains its position, but can pivot with force for aiming.



2. Access your factory fog lights and unplug the fog lamp connector, as shown in the picture to the left.



3. Use a 7mm socket and ratchet to remove the four bolts holding the factory fog light housing in place. Remove the factory fog light housing. The factory bolts will be reused.



4. Install your assembled bracket and pod onto the vehicle by securing the four original bolts with a 7mm socket and ratchet.



5. Plug the SS3 into the factory fog light harness using the included Molex wire adapter.



6. Repeat the steps on the other side of the vehicle.

*See back for aiming instructions.*