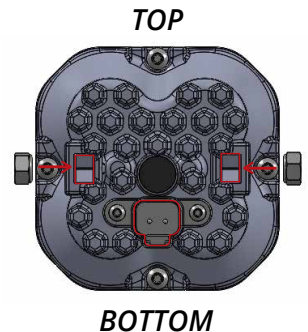
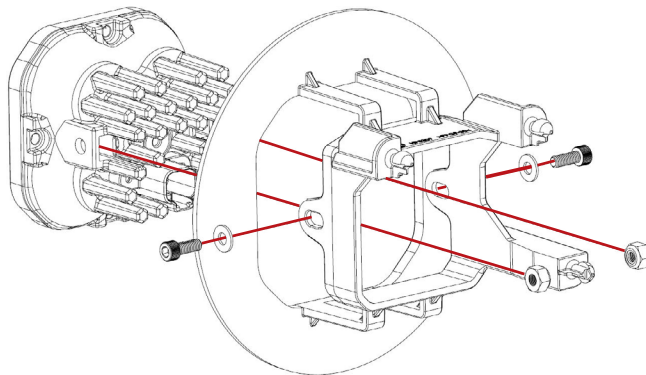




Thank you for your purchase of our new SS3 Type GM5 Foglight Kit. CAD-designed to use existing mounting points, this kit is compatible with the 2007-2013 GMC Sierra 1500 and 2007-2014 GMC Sierra HD 2500/3500. Basic installation instructions are included below. **Please contact us if you have any questions.**

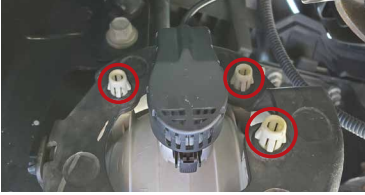
COMPUTER DESIGNED
OEM FITMENT



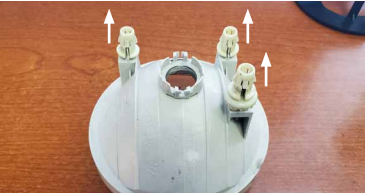
Driver/Left Side (opposite for Passenger/Right Side)

1. Install the supplied nuts into the pod housing with the nylon facing inward. Attach the bracket to the pod using the supplied screws and washers. See diagrams above. The screws will also determine the aim of your SS3 pods. Ensure that the screws are tightened such that the pod retains its position, but can pivot with force for aiming.

See back for further instructions.



2. Reach under the front bumper to access the fog light and unplug the fog lamp connector. Use a 10mm socket to depress the plastic tabs on the three fog lamp mounting grommets and gently pull the lamp out the front of the bumper.



3. Remove the three fog lamp mounting grommets from the OEM lamp and install them on your new SS3 mounting bracket.

4. Loosely install the bracket and pod in the fog pocket. Do not snap in the three fog lamp mounting grommets as the pod will need to be removed to lock-in final aiming.

5. Plug the SS3 into the factory fog light harness using the included DT wire adapter. Test function. If the light does not turn on, try flipping the connector 180°.

6. Adjust and aim the fog light according to your local and state laws. In general, fog lamps should be angled slightly downwards to illuminate the area directly in front of the vehicle, below your headlamps.

When desired aiming is reached, gently remove the assembly to fully tighten the SS3 pod mounting hardware. Reinstall on the vehicle. There will be a slight gap between the bracket's bezel and bumper opening. Ensure the lamp is centered in the fog pocket with even gaps around the bezel.

7. Repeat the steps on the other side of the vehicle to complete the installation.

NEED MORE HELP?

Scan the QR code to link to our installation video online!

We've taken the time to test our products on your vehicle. We can guarantee compatibility and fitment the first time – no guessing game! If you need more help with installation, watch our step-by-step video to walk you through the process.

YouTube



This installation guide is for the following SKUs:

DD6664 Worklight SS3 Sport Type GM5 Kit White SAE Driving
DD6665 Worklight SS3 Sport Type GM5 Kit White SAE Fog
DD6666 Worklight SS3 Sport Type GM5 Kit Yellow SAE Fog
DD6667 Worklight SS3 Pro Type GM5 Kit White SAE Driving

DD6668 Worklight SS3 Pro Type GM5 Kit White SAE Fog
DD6669 Worklight SS3 Pro Type GM5 Kit Yellow SAE Fog
DD6710 Worklight SS3 Max Type GM5 Kit White SAE Fog
DD6711 Worklight SS3 Max Type GM5 Kit Yellow SAE Fog