



## TXIS SILVER

Nominal Impedance: 4 ohms

RMS Power: 50 Watts

Maximum Power: 200 Watts

Sensitivity: 88dB

Frequency: 2k-20K Hz

Voice coil Diameter: 0.5"

Voice Coil Former Material: KSV

Diaphragm Material: PEI Dome

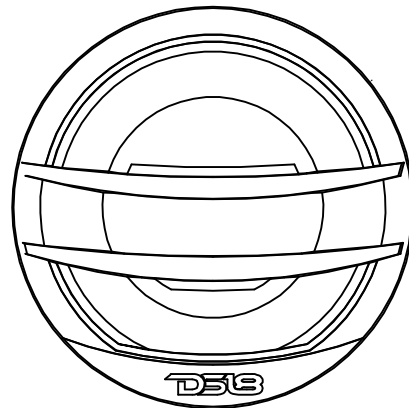
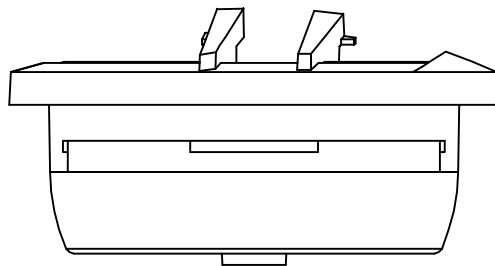
Frame and Basket Material: Plastic

Magnet Material: Ferrite

# TXIS

## 1.38" PEI DOME FERRITE TWEETER

# OWNER S MANUAL



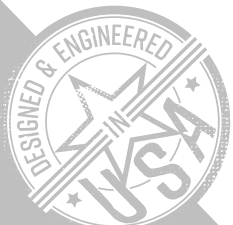
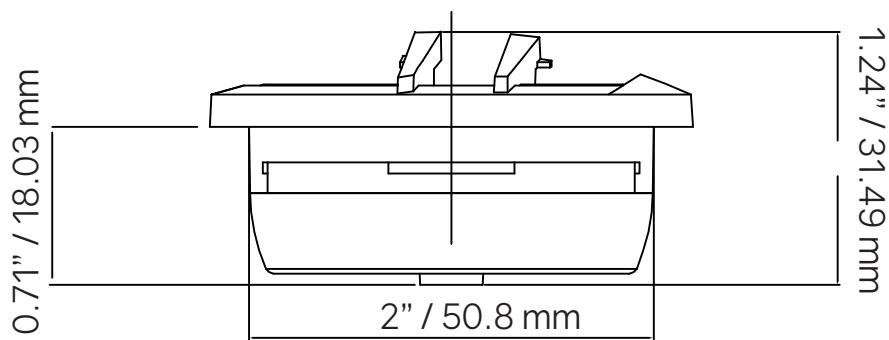
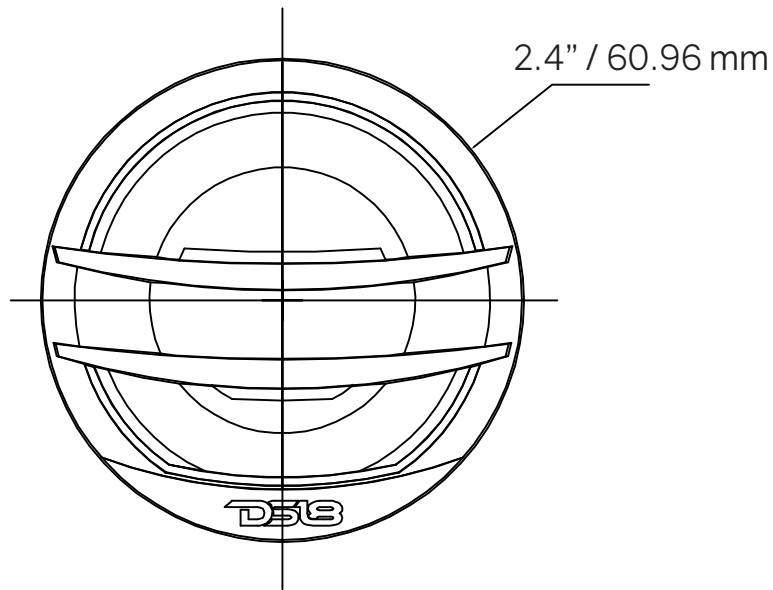
## #WeLikeltLoud

## #WeLikeltLoud



# TXIS

## 1.38" PEI DOME FERRITE TWEETER



**WE LIKE IT LOUD**    

### Data Sheet

#### Specifications

Impedance .....	4 ohms
RMS Power Handling.....	50 Watts
Maximum Power Handling.....	200 Watts
Sensitivity (1w/1m).....	88dB
Frequency Response .....	2K - 20K Hz
Voice Coil Diameter.....	0.5"
Tweeter Diaphragm Diameter.....	1.38"
Voice Coil Former Material.....	KSV
Diaphragm Material .....	PEI Dome
Frame Material .....	Plastic
Basket Material.....	Plastic
Magnet Material.....	Ferrite

#### Measurements

Mounting Depth.....	0.71" (18.03 mm)
Overall Width .....	2.4" (60.96 mm)
Overall Height.....	1.24" (31.49 mm)
Cutout Diameter .....	2" (50.8 mm)

#### Shipping Info

Gross Single Unit Weight.....	0.25 kg
Quantity of Units in Master Carton.....	30 PCS
Gross Master Carton Weight.....	9.3 kgs
Master Carton Dimensions W x L x H .....	42.4 x 39.1 x 26 cm

**TXIS** 1.38" PEI DOME FERRITE TWEETER