

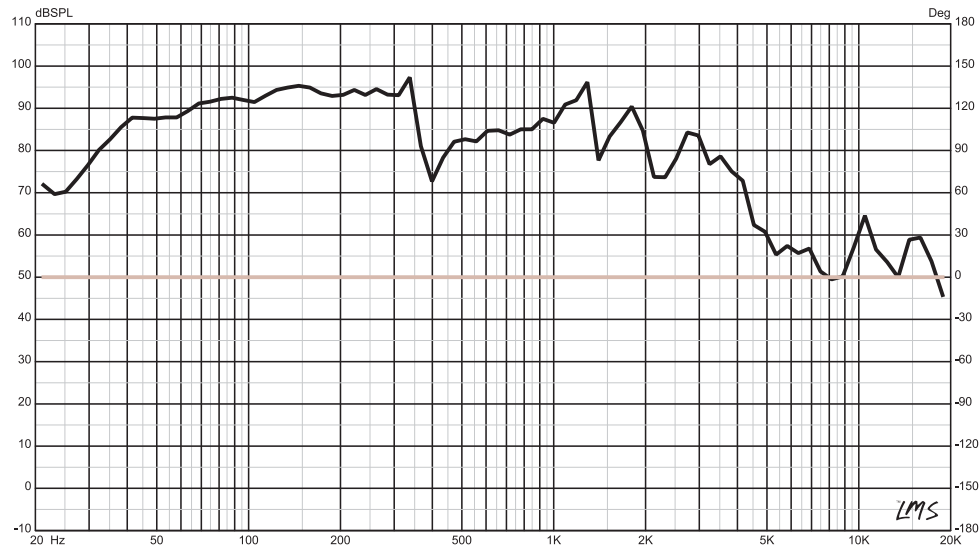


SRW12.4

12" SHALLOW SUBWOOFER

- 220 Watts RMS Power
- 440 Watts Max Power
- Nominal Impedance 4 OHMS
- 2" BASV 4 Layer Voice Coil
- Red Steel Basket
- Ferrite High Strength Magnet
- Rubber Edge and Paper Cone
- Sensitivity: 88 dB
- Frequency Response: 40 - 3.5 KHz

SPL vs Freq



#WELIKEITLOUD

DS18.COM



OWNER'S MANUAL

SRW12.4

SHALLOW SUBWOOFER

12"

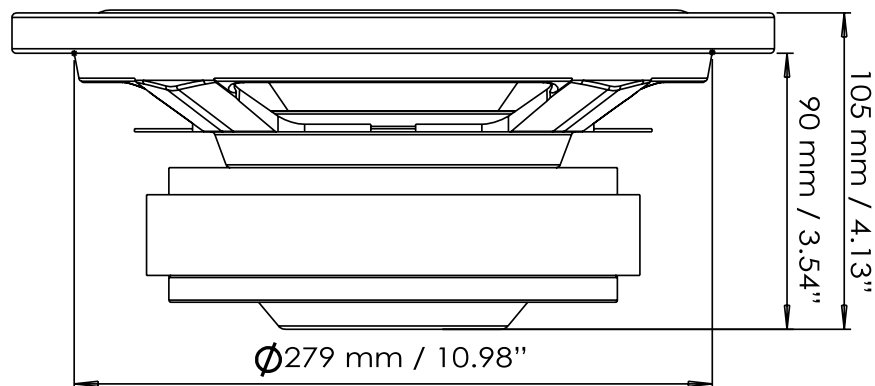
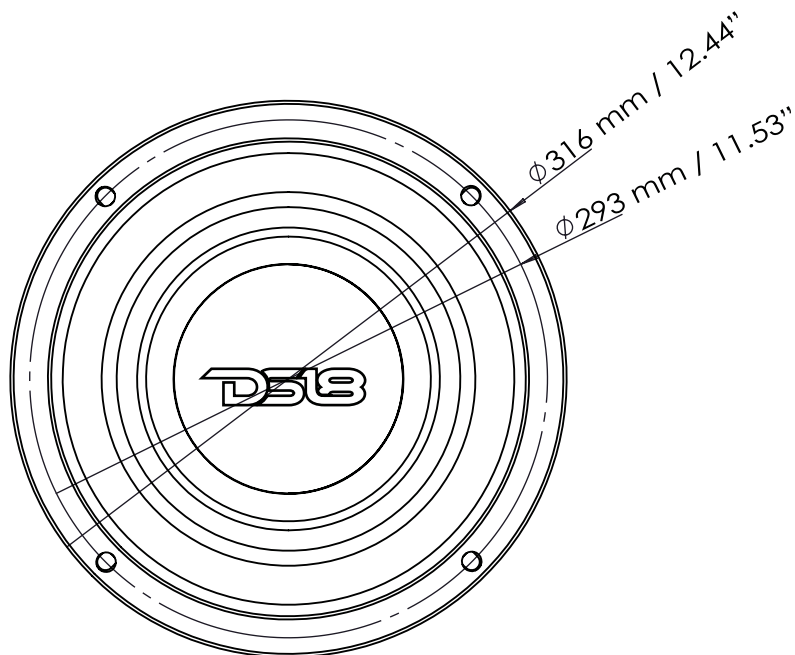


4OHM



SRW12.4

12" SHALLOW SUBWOOFER



SRW12.4

12" SHALLOW SUBWOOFER

SPECIFICATIONS

Nominal Diameter	12"
Nominal Impedance	4 OHMS
RMS Power Handling	220 watts
Maximum Power Handling	440 watts
Sensitivity (1w/1m)	88 dB
Frequency Response	40-3.5 khz
Recommended Lo Pass Crossover	80Hz
Voice Coil Diameter	50.8mm / 2"
Voice Coil Former Material	Aluminum
Winding Material	SV
Basket Material	Steel Basket
Frame Material	Steel Basket
Magnet Weight	Ferrite 45 oz

THIELE & SMALL PARAMETERS

Equilant Volume	Vas	26.60 L
Excursion	Xmax	15 mm
Free Air Resonance	Fs	53.4 Hz
Mechanical Factor	Qms	4.23
Electrical Factor	Qes	1.126
Total Factor	Qts	0.889
Cone Area	Sd	530.93 cm ²
Mechanical Mass	Mms	133.052g
BI Factor	BI	11.923
Dc Resistance	Re	3.58 OHMS
Inductance	Le	1.09 mH
Mechanical Mass Without Air	Mmd	119.228g
Mechanical Compliance	Cms	0.067 mm/N

MEASUREMENTS

Overall Diameter	316mm / 12.44"
Front Mount Baffle Cutout	279mm / 10.98"
Over Depth	105mm / 4.13"
Mounting Depth	90mm / 3.54"

