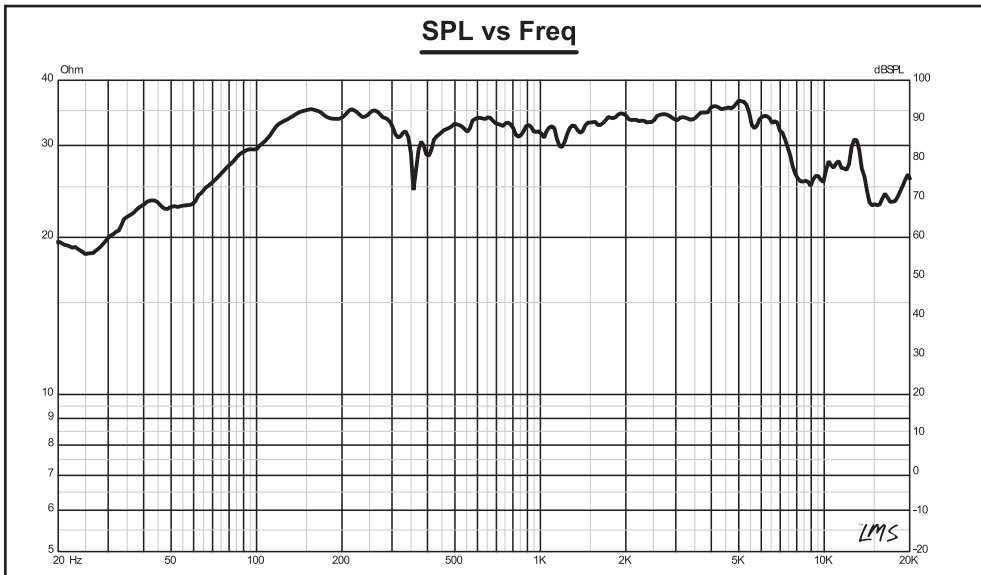




PRO-X6M

6.5" MIDRANGE LOUDSPEAKER

- RMS Power Handling: 225 Watts
- MAX Power Handling: 450 Watts
- Frequency Response: 115Hz-15KHz
- Voice Coil Diameter: 1.5" (38.1 mm)
- Voice Coil Material: Kapton
- Nominal Impedance: 8 OHM
- Sensitivity (1W/1M): 92dB
- Magnet Weight: 30 oz
- Magnet Material: Ferrite
- Mounting Depth: 62 mm / 2.44"



RMS Power Handling
MAX Power Handling

6.5"
MIDRANGE LOUDSPEAKER

PRO-X6M



450W MAX

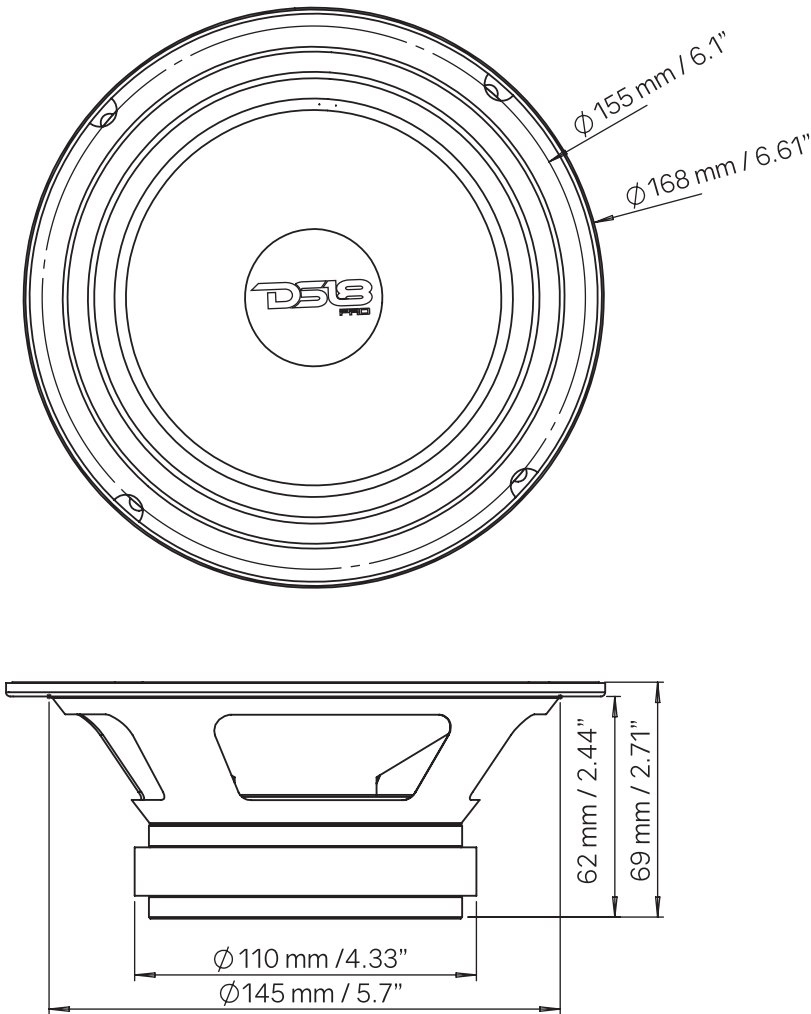
225W RMS

8 OHMS

OWNER'S MANUAL

PRO-X6M

6.5" MIDRANGE LOUDSPEAKER



DS18.COM

Data Sheet

Specifications:

Nominal Diameter.....	6.5" (165.1 mm)
Nominal Impedance.....	8 ohms
RMS Power Handling.....	225 WATTS
MAX Power Handling.....	450 WATTS
Sensitivity (1w/1m).....	92dB
Frequency Response.....	115Hz - 15KHz
Recommended Hi Pass Crossover.....	140 Hz

Midrange:

Voice Coil Diameter.....	1.5" (38.1 mm)
Voice Coil Former Material.....	Kapton
Winding Material.....	CCAW
Basket Material.....	Steel
Magnet Weight.....	30 oz

Thiele & Small Parameters:

Equivalent Volume.....	Vas.....	2.654 LTR
Excursion.....	Xmax.....	8.2 mm
Free Air Resonance.....	Fs.....	115 Hz
Mechanical Factor.....	Qms.....	9.856
Electrical Factor.....	Qes.....	0.781
Total Factor.....	Qts.....	0.678
Dc Resistance.....	Re.....	5.2 ohms

Measurements:

Overall Diameter.....	168 mm (6.61")
Front Mount Baffle Cutout.....	145 mm (5.70")
Mounting Depth.....	62 mm (2.44")
Overall Depth.....	69 mm (2.72")

PRO-X6M 6.5" MIDRANGE LOUDSPEAKER

WeLikeItLoud

