



DS18[®]

PRO

OWNER'S MANUAL

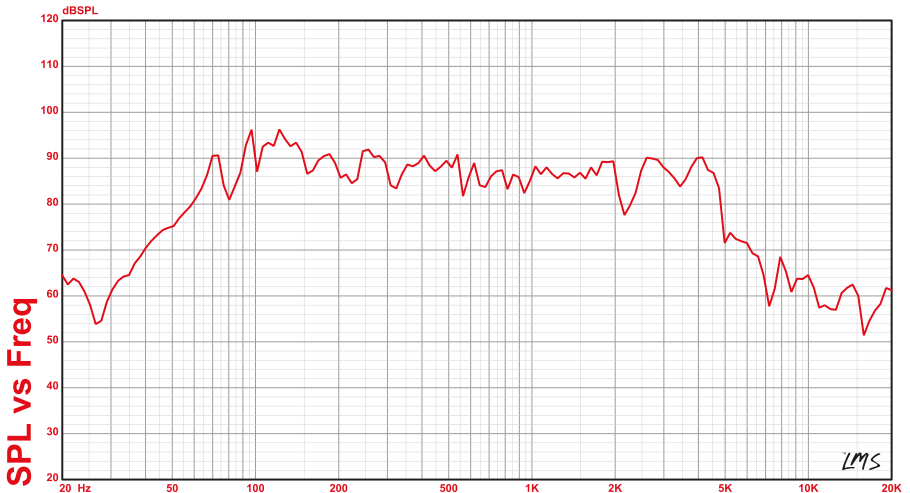
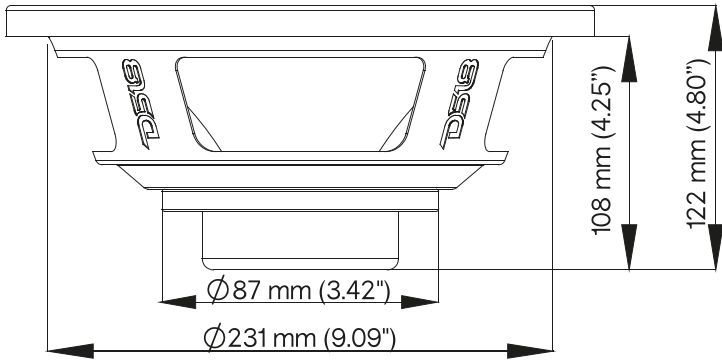
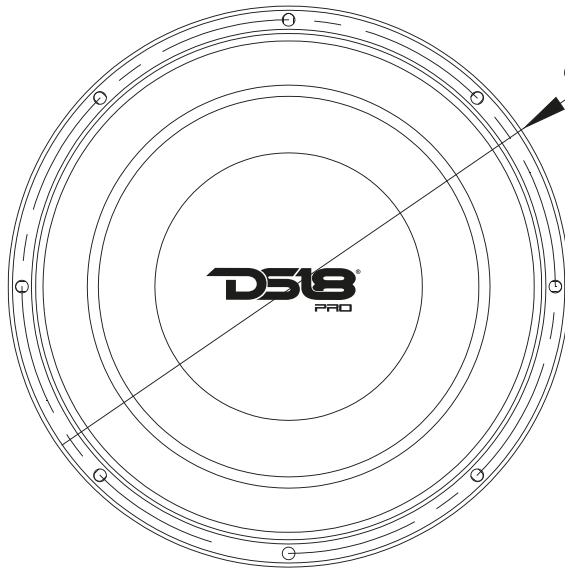
PRO-W10.2SNEO
10" NEODYMIUM
WOOFER LOUDSPEAKER
WATER RESISTANT CONE



PERFECT FOR
MOTORCYCLES



PRO-W10.2SNEO





Specifications:

Nominal Diameter	10" (254mm)
.....	2 ohms svc
Nominal Impedance	800 watts
.....	400 watts
Maximum Power Handling	91 db
.....	40Hz-5KHz
RMS Power Handling	180hz
.....	
Sensitivity (1w/1m)	
.....	2.5" (65.5mm)
Frequency Response	Til
.....	SV
Recommended Lo Pass Crossover	Water resistant paper
.....	Water resistant paper
	Rubber

Motor:

Voice Coil Diameter	Steel
.....	Neodymium
Voice Coil Former Material	8.8 oz
.....	1.79L

Winding Material

.....	Vas	22.514 LTR
Cone Material	Xmax	12.2 mm
.....	Fs	41.5 Hz
.....	Qms	5.846
Dust Cap Material	Qes	0.452
.....	Qts	0.397
Surround Material	Mms	91.85g
.....	Cms	0.16mm/N
Basket Material	Bl	12.95
.....	Le	0.4578mH
Magnet Material	Sd	0.035299sq/M
.....	Re	2 ohms
Magnet Weight	EBP	91.8

Displacement Volume

.....	264 mm (10.39")
	12 2 mm (4.80")
Thiele & Small Parameters:	231 mm (9.09")
Equivalent	108 mm (4.25")
Volume.....	87 mm (3.42")
Excursion (one	

PRO-W10.2SNEC



FOR MORE INFORMATION
PLEASE VISIT
DS18.COM

WE LIKE IT LOUD

The DS18 logo, featuring the letters "DS18" in a bold, italicized, sans-serif font. A registered trademark symbol (®) is located to the upper right of the number "8".

DS18[®]