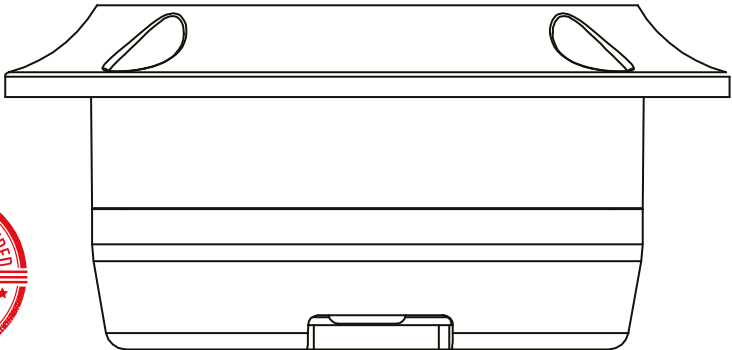
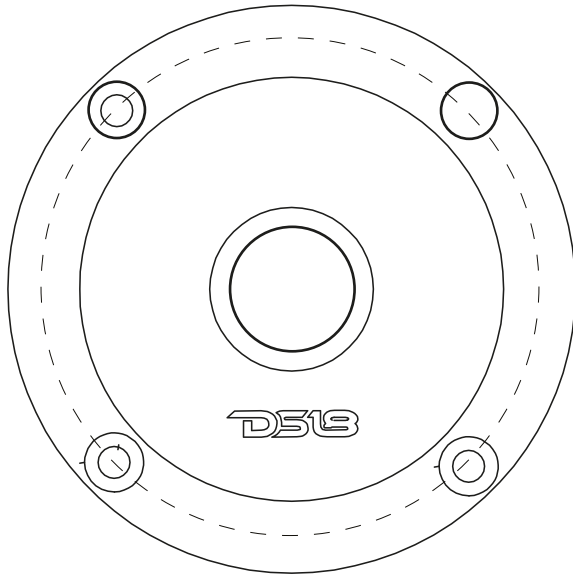




**DS18**<sup>®</sup>  
**PRO**

OWNER'S MANUAL  
**PRO-TSQ3IN1**

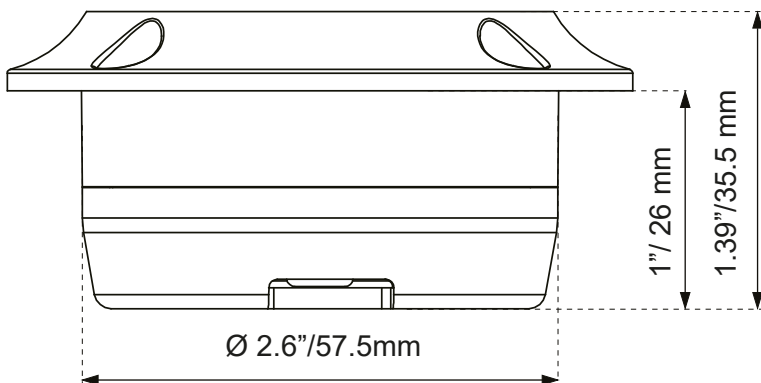
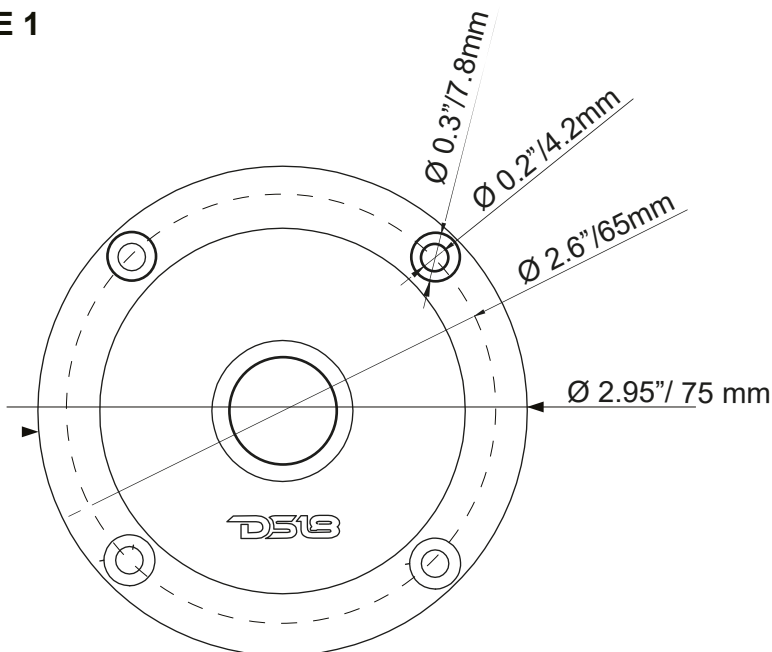




# PRO-TSQ3IN1

## FLUSH MOUNT MEASUREMENTS

MODE 1

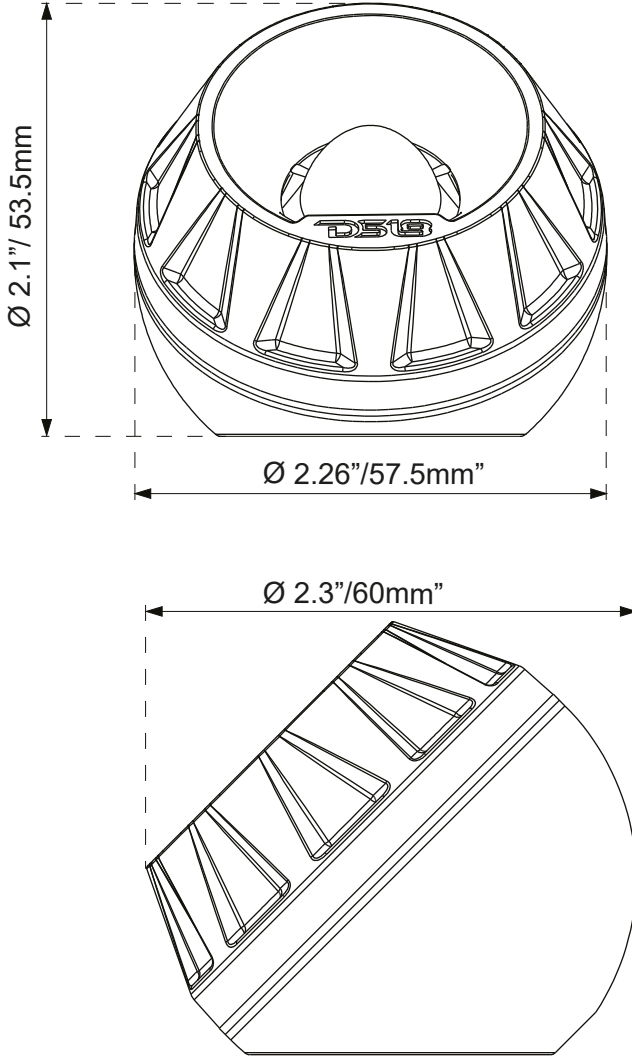


#WELIKEITLOUD    

# PRO-TSQ3IN1

## ANGLE MOUNT MEASUREMENTS

### MODE 2

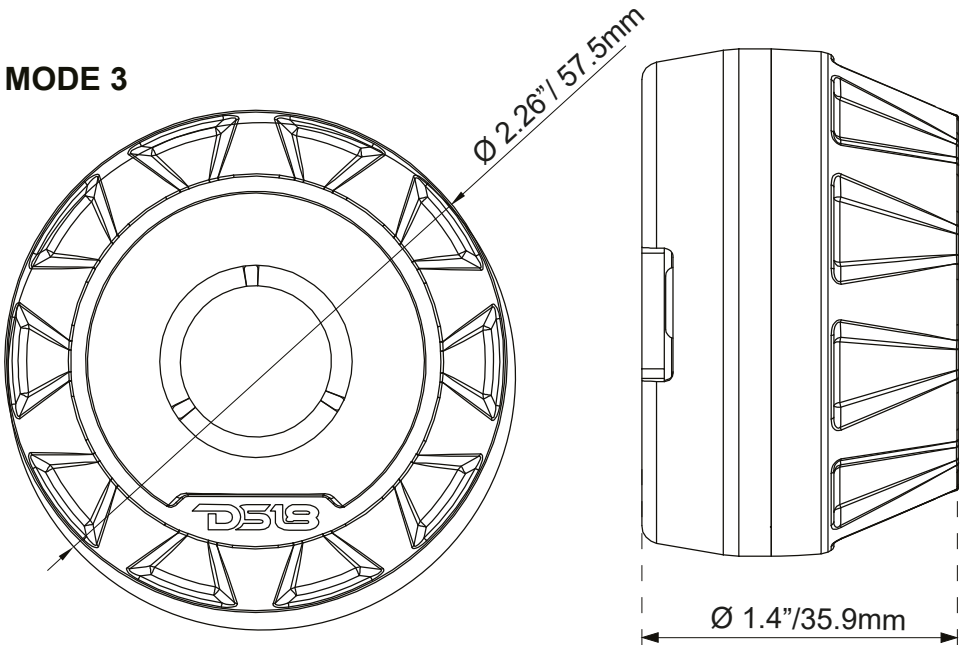




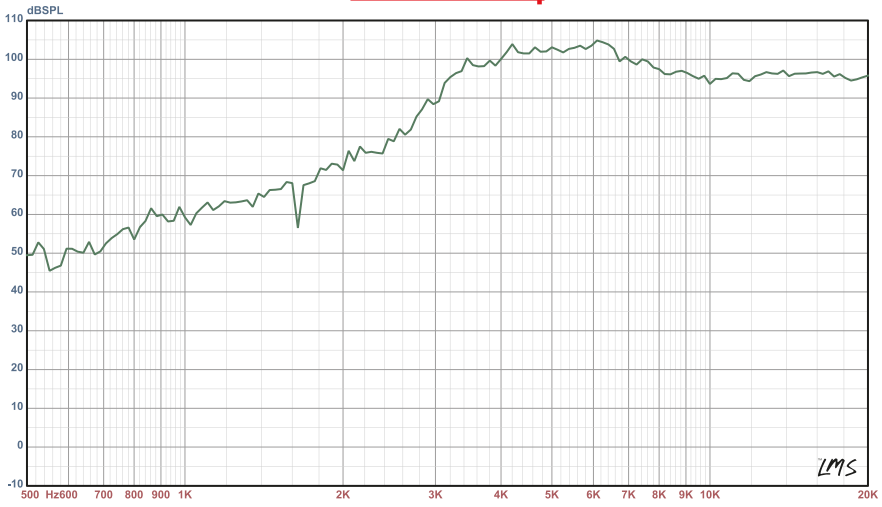
# PRO-TSQ3IN1

## FLAT MOUNT MEASUREMENTS

MODE 3



### SPL vs Freq



LMS



## Data Sheet

### SPECIFICATIONS:

Nominal Diameter (Flush / Surface) .....	3 / 2.2"
Nominal Impedance .....	4 ohms
Peak Power Handling .....	200 Watts
Program Power Handling .....	100 Watts
AES Power Handling .....	50 Watts
Sensitivity (1W/1W) .....	102dB
Frequency Response .....	3KHz-20KHz
Recommended Hi Pass Crossover .....	2 KHz

### MOTOR

Voice Coil Diameter .....	1" / 25.4 mm
Voice Coil Former Material .....	Kapton
Winding Material .....	CCA
Diaphragm Material .....	Aluminum Alloy
Frame/Body Material .....	ABS
Magnet Material .....	Neodymium

### MEASUREMENTS

#### MODE 1 (FLUSH MOUNT)

Overall Diameter .....	2.95" / 75 mm
Overall Depth .....	1.39" / 35.5 mm
Front Mount Baffle Cutout .....	2.26" / 57.5 mm
Mounting Depth .....	1" / 26 mm

#### MODE 2 (ANGLE MOUNT)

Overall Wide .....	2.26" / 57.5 mm
Overall Height .....	2.1"/53.5 mm
Overall Depth .....	2.3" / 60 mm

#### MODE 3 (FLAT SURFACE MOUNT)

Overall Diameter .....	2.26" / 57.5 mm
Overall Height .....	1.4"/35.9 mm



FOR MORE INFORMATION  
PLEASE VISIT  
[DS18.COM](http://DS18.COM)

*WE LIKE IT LOUD*

The DS18 logo, consisting of the letters "DS18" in a bold, stylized, italicized font. The "D" and "S" are connected, and the "18" is slightly separated. A registered trademark symbol (®) is located to the upper right of the "8".

**DS18®**