



PRO-X8MSIE

8" MIDRANGE LOUDSPEAKER WITH SEALED BACK

MAX Power Handling: 550 Watts

RMS Power Handling: 275 Watts

Frequency Response: 482Hz-11.5KHz

Voice Coil Material: Kapton

Voice Coil Diameter: 1.5" (38.1 mm)

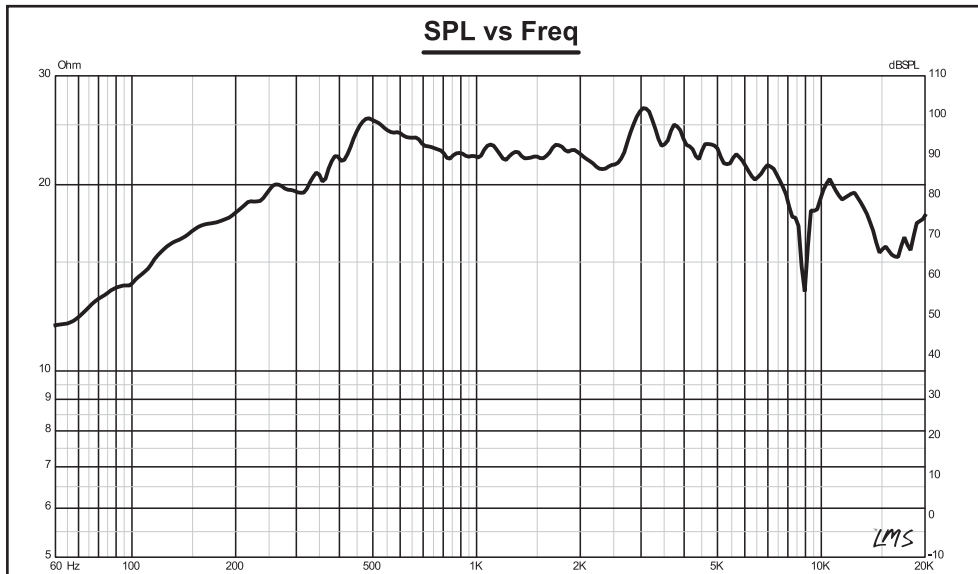
Nominal Impedance: 8 ohms

Mounting Depth: 82 mm (3.23")

Sensitivity (1W/1M): 98.2dB

Magnet Material: Ferrite

Magnet Weight: 33 oz



8"

MIDRANGE LOUDSPEAKER WITH SEALED BACK

PRO-X8MSIE

550W MAX

275W RMS

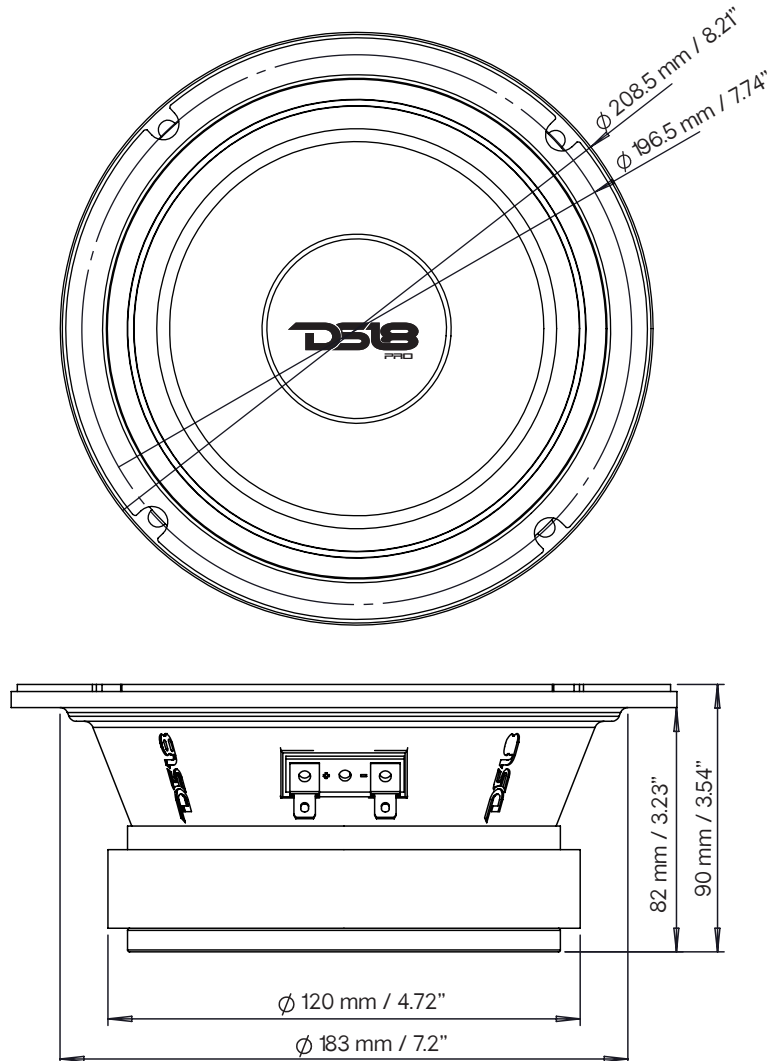
8 OHMS



OWNER'S MANUAL

# PRO-X8MSIE

**8" MIDRANGE LOUDSPEAKER WITH SEALED BACK**



[DS18.COM](http://DS18.COM)

## Data Sheet

**PRO-X8MSIE 8" MIDRANGE LOUD SPEAKER WITH SEALED BACK**

### Specifications:

Nominal Diameter .....	8" (203.2mm)
Nominal Impedance .....	8 ohms
RMS Power Handling .....	275 WATTS
Maximum Power Handling .....	550 WATTS
Sensitivity (1w/1m) .....	98.2dB
Frequency Response .....	482Hz-11.5KHz
Recommended Hi Pass Crossover .....	500 Hz

### Midrange:

Voice Coil Diameter .....	1.5" (38.1 mm)
Voice Coil Former Material .....	Kapton
Winding Material .....	CCAW
Basket Material .....	Steel
Magnet Weight .....	33 oz

### Thiele & Small Parameters:

Equivalent Volume	Vas	4.457 LTR
Excursion	Xmax	11 mm
Free Air Resonance	Fs	482Hz
Mechanical Factor	Qms	13.552
Electrical Factor	Qes	4.484
Total Factor	Qts	3.369
Dc Resistance	Re	5.2 ohms

### Measurements:

Overall Diameter .....	208.5 mm (8.21")
Front Mount Baffle Cutout .....	183 mm (7.2")
Mounting Depth .....	82 mm (3.23")
Overall Depth .....	90 mm (3.54")

# WeLikeItLoud

