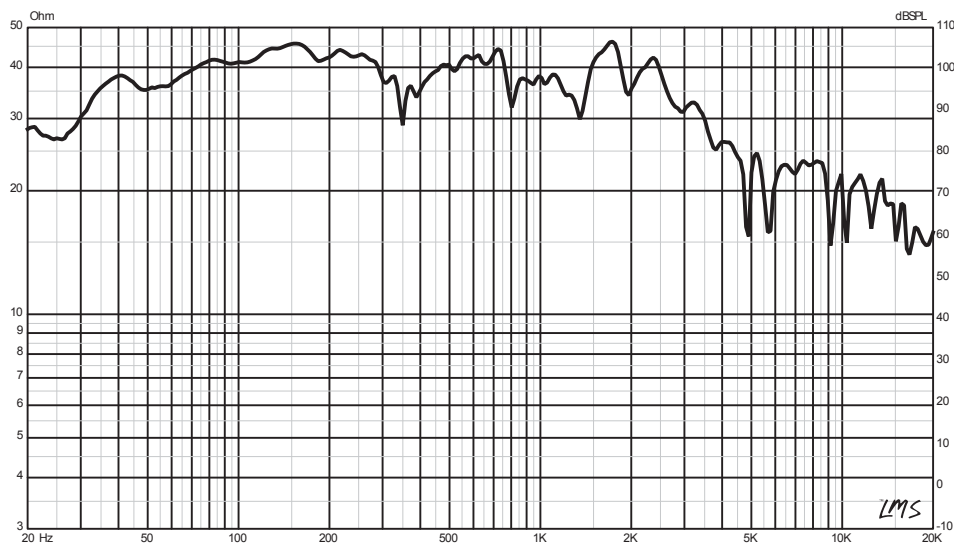




GEN-X124D

- 12" SUBWOOFER DUAL 4+4 OHMS
- RED COLOR STEEL BASKET
- 66 Oz HIGH STRENGTH FERRITE MAGNET
- FOAM EDGE AND PAPER WITH GLASS FIBER CONE
- 2" BLACK ALUMINUM 4 LAYER VOICE COIL
- 450 WATTS RMS POWER
- 900 WATTS MAX POWER
- IMPEDANCE 4+4 OHMS
- SENSITIVITY 87.5 dB
- FREQUENCY RESPONSE 44 - 4.8KHz

SPL vs. FREQ



#WELIKEITLOUD



GEN-X124D

12" SUBWOOFER DUAL 4+4 OHMS

OWNER'S MANUAL

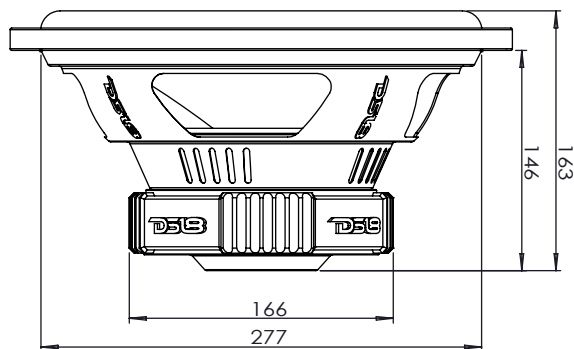
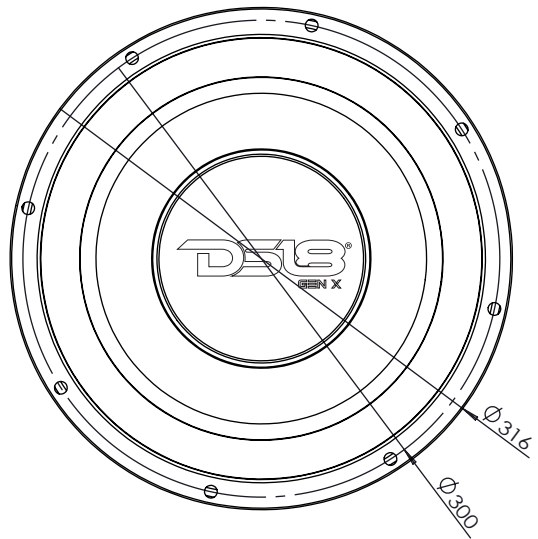
#WELIKEITLOUD





GEN-X124D

12" SUBWOOFER DUAL 4+4 OHMS



WE LIKE IT LOUD

Data Sheet



GEN-X124D 12" SUBWOOFER DUAL 4+4 OHMS

Specifications

Nominal Diameter	12"
Nominal Impedance	4+4 ohms
RMS Power Handling	450 Watts
Maximum Power Handling	900 Watts
Sensitivity (1w/1m)	87.5 dB
Frequency Response	44 - 4.8KHz
Recommended Lo Pass Crossover	120Hz
Voice Coil Diameter	50.8mm (2")
Voice Coil Former Material	Black Aluminum
Winding Material	SV
Basket Material	Steel Bakset
Frame Material	Steel
Magnet Weight	Ferrite 66 oz

Thiele & Small Parameters

Equilvant Volume	Vas	23.428 L
Excursion	Xmax	17.8 mm
Free Air Resonance	Fs	43 Hz
Mechanical Factor	Qms	6.305
Electrical Factor	Qes	0.748
Total Factor	Qts	0.668
Cone Area	Sd	490.87 cm ²
Mechanical Mass	Mms	189.648 g
Bl Factor	Bl	21.64 N/A
Dc Resistance	Re	3.5 + 3.5 ohms
Inductance	Le	32.18 mH
Mechanical Mass Without Air	Mmd	177.358 g
Mechanical Compliance	Cms	0.069 mm/N

Measurements

Overall Diameter	316mm (12.44")
Front Mount Baffle Cutout	277mm (10.9")
Mounting Depth	146mm (5.75")
Overall Depth	163mm (6.41")
Net Weight	6.3 KG

Shipping Info

Gross Single Unit Weight	14 KG
Single Unit Box Dimensions W x L x H	335 x 335 x 185mm
Quantity of Units in Master Carton	2 Units
Gross Master Carton Weight	15 KG
Master Carton Dimensions W x L x H	350 x 350 x 390mm