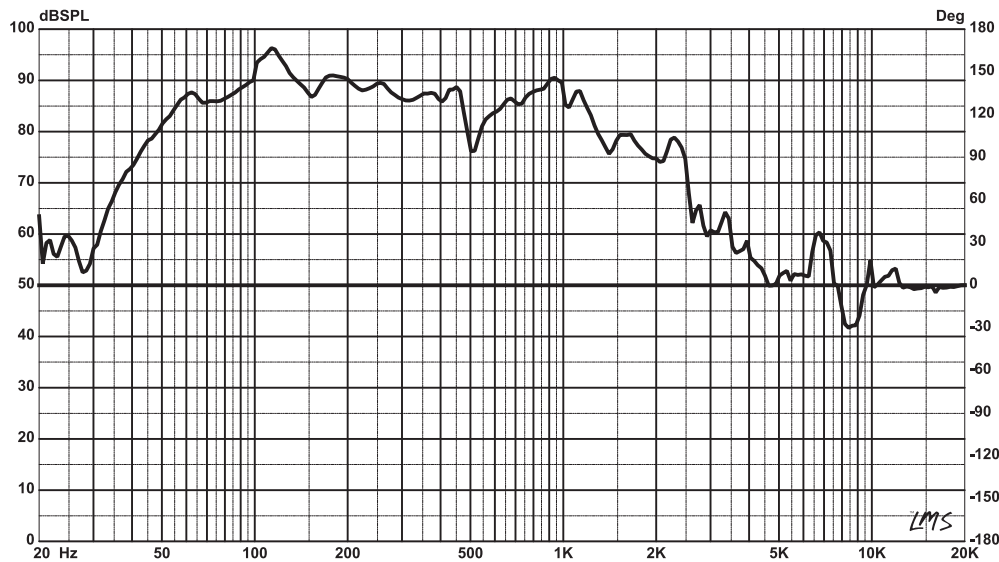




EXL-X15.4D

- 15" SUBWOOFER DUAL 4 OHMS
- RED COLOR ALUMINUM BASKET
- 210 Oz HIGH STRENGTH DOUBLE FERRITE MAGNET
- LARGE FOAM EDGE AND PAPER WITH GLASS FIBER CONE
- 2.5" BLACK ALUMINUM 4 LAYER VOICE COIL
- 2 LAYER CONEX SPIDER
- 1250 WATTS RMS POWER
- 2500 WATTS MAX POWER
- IMPEDANCE 4+4 OHMS
- SENSITIVITY 92 dB
- FREQUENCY RESPONSE 25 - 1.3K Hz

SPL vs. FREQ



#WeLiktLoud



EXL-X15.4D

15" SUBWOOFER DUAL 4 OHMS

OWNER'S MANUAL

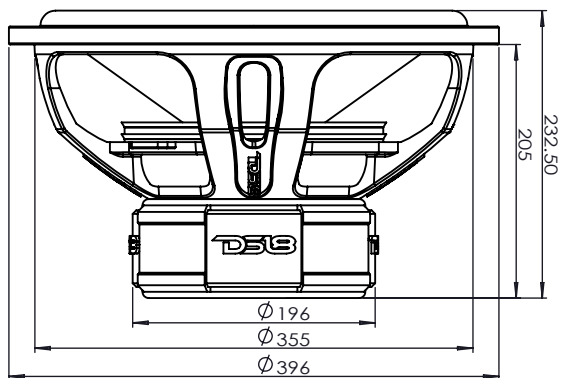
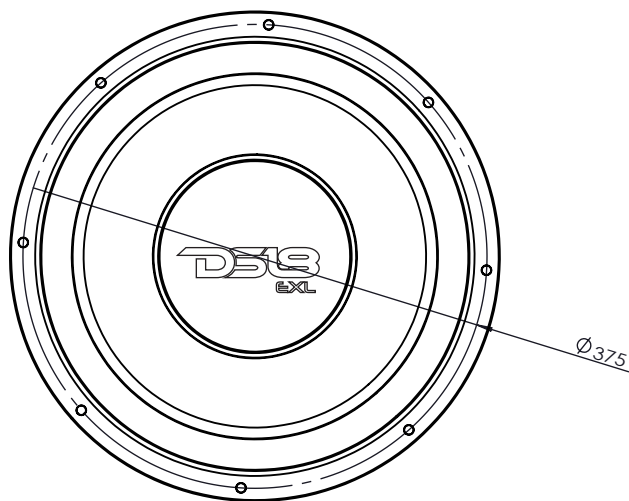
#WeLiktLoud





EXL-X15.4D

15" SUBWOOFER DUAL 4 OHMS



WE LIKE IT LOUD

Data Sheet



Specifications

Nominal Diameter	15"
Nominal Impedance	4 + 4 ohms
RMS Power Handling	1250W
Maximum Power Handling	2500W
Sensitivity (1w/1m)	92 dB
Frequency Response	25 - 1.3K Hz
Recommended Low Pass Crossover	120 Hz
Voice Coil Diameter	65.5mm(2.57inch)
Voice Coil Former Material	Black Aluminum
Winding Material	SV
Basket Material	Aluminum
Frame Material	Aluminum
Magnet Weight	Ferrite 210 OZ

Thiele & Small Parameters

Equivalent Volume	Vas	25.539 L
Excursion	Xmax	30 mm
Free Air Resonance	Fs	52.3 Hz
Mechanical Factor	Qms	6.214
Electrical Factor	Qes	0.572
Total Factor	Qts	0.495
Cone Area	Sd	804.25 cm ²
Mechanical Mass	Mms	359.128 g
Bl Factor	Bl	15.921
Dc Resistance	Re	3.6 ohms
Inductance	Le	6.72 mH
Mechanical Mass Without Air	Mmd	335.803 g
Mechanical Compliance	Cms	0.026 mm/N

Measurements

Overall Diameter	396mm(15.59inch)
Front Mount Baffle Cutout	355mm(13.98inch)
Mounting Depth	205mm(8.07inch)
Overall Depth	232.5mm(9.15inch)
Net Weight	16KG

Shipping Info

Gross Single Unit Weight	16KG
Single Unit Box Dimensions W x L x H	423 x423 x271mm
Quantity of Units in Master Carton	1PCS
Gross Master Carton Weight	18KG
Master Carton Dimensions W x L x H	440 x440 x290mm

EXL-X15.4D 15" SUBWOOFER DUAL 4 OHMS