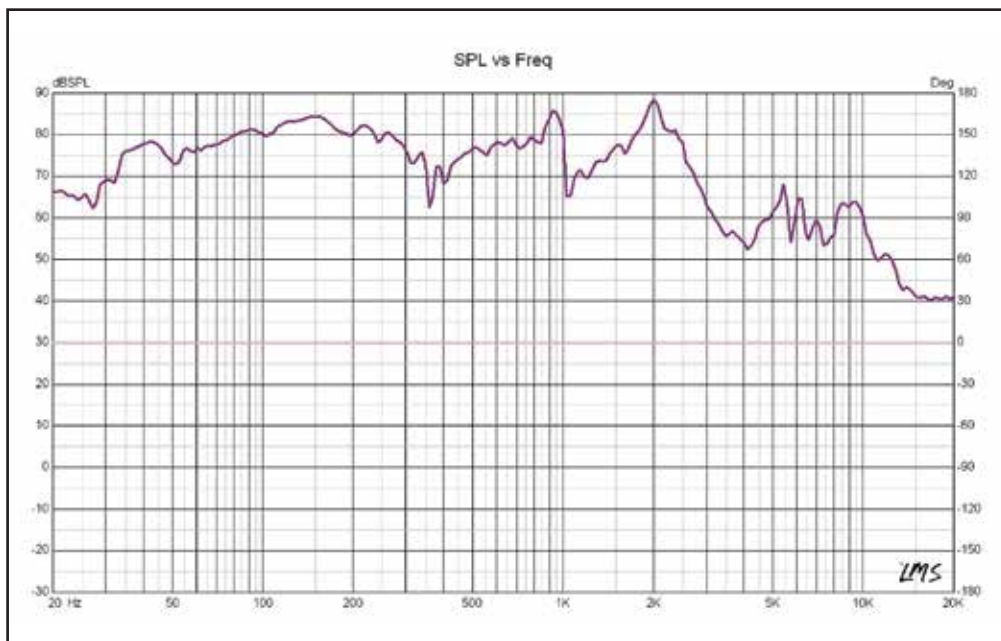




EXL-X10.4D

10" SUBWOOFER
LARGE FOAM EDGE AND PAPER
WITH GLASS FIBER CONE
180 oz HIGH STRENGTH DOUBLE
FERRITE MAGNET
RED COLOR ALUMINUM BASKET
2.5" BLACK ALUMINUM 4 LAYER VOICE COIL
FREQUENCY RESPONSE 35 - 1.2KHz
2 LAYER CONEX SPIDER
850 WATTS RMS POWER
1700 WATTS MAX POWER
IMPEDANCE 4+4 OHMS
SENSITIVITY 88.75 dB



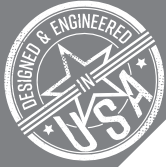
EXL-X10.4D 10" SUBWOOFER DUAL 4 OHMS

OWNER'S MANUAL

#WeLikeItLoud

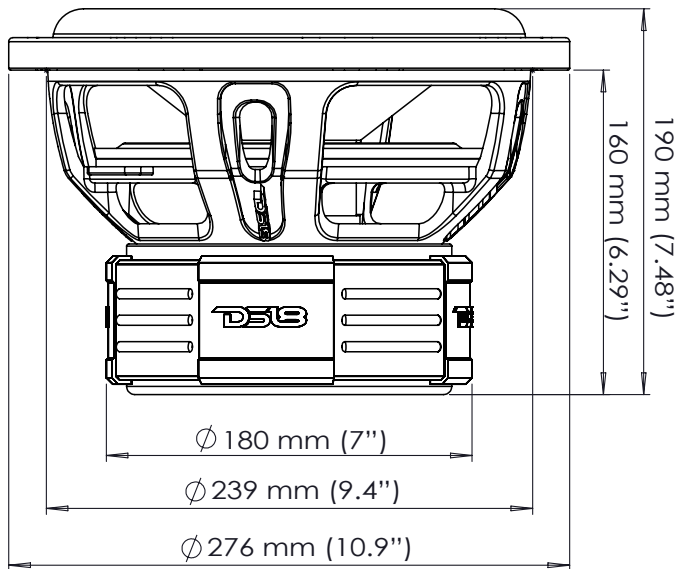
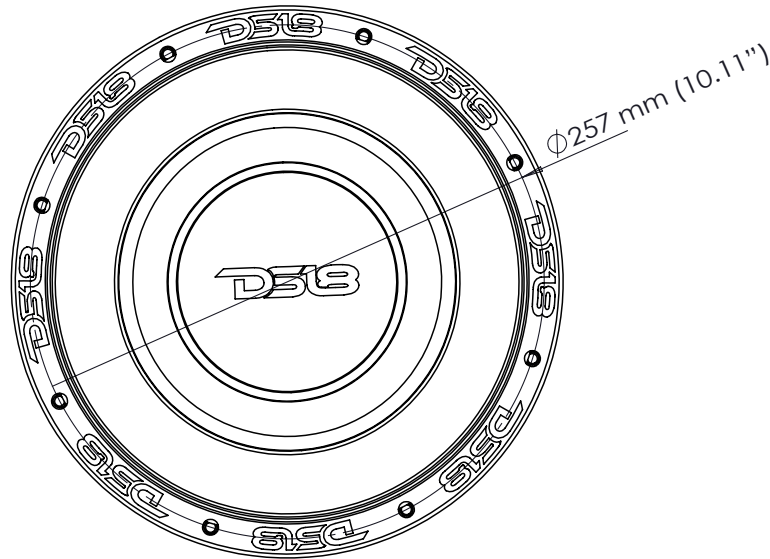


DS18.COM



EXL-X10.4D

10" SUBWOOFER DUAL 4 OHMS



WE LIKE IT LOUD



EXL-X10.4D 10" SUBWOOFER DUAL 4 OHMS

Data Sheet

Specifications:

Nominal Diameter	10inch
Nominal Impedance	4+4 ohms
RMS Power Handling	850W
Maximum Power Handling.....	1700W
Sensitivity (1w/1m).....	88.75dB
Frequency Response	35-1.2KHz
Recommended Lo Pass Crossover.....	110Hz
Voice Coil Diameter.....	65.5 mm (2.5 inch)
Voice Coil Former Material	Black Aluminum
Winding Material	SV
Basket Material	Aluminum
Frame Material	Aluminum
Magnet Weight.....	Ferrite 180 OZ

Thiele & Small Parameters:

Equivalent Volume	Vas	5.82L
Excursion	X-max.....	27 mm
Free Air Resonance	Fs.....	55Hz
Mechanical Factor	Qms	6.519
Electrical Factor	Qes	0.714
Total Factor	Qts.....	0.653
Cone Area	Sd	346.36 cm ²
Mechanical Mass	Mms	210.25g
BI Factor	BI	27.36 N/A
Dc Resistance	Re	3.2+3.2 ohms
Inductance	Le.....	26.4mH
Mechanical Mass Without Air	Mmd	205.98g
Mechanical Compliance	Cms.....	0.032 mm/N

Measurements

Overall Diameter	276 mm (10.9 inch)
Front Mount Baffle Cutout	239 mm (9.4 inch)
Mounting Depth	160 mm (6.29 inch)
Overall Depth.....	190 mm (7.48 inch)