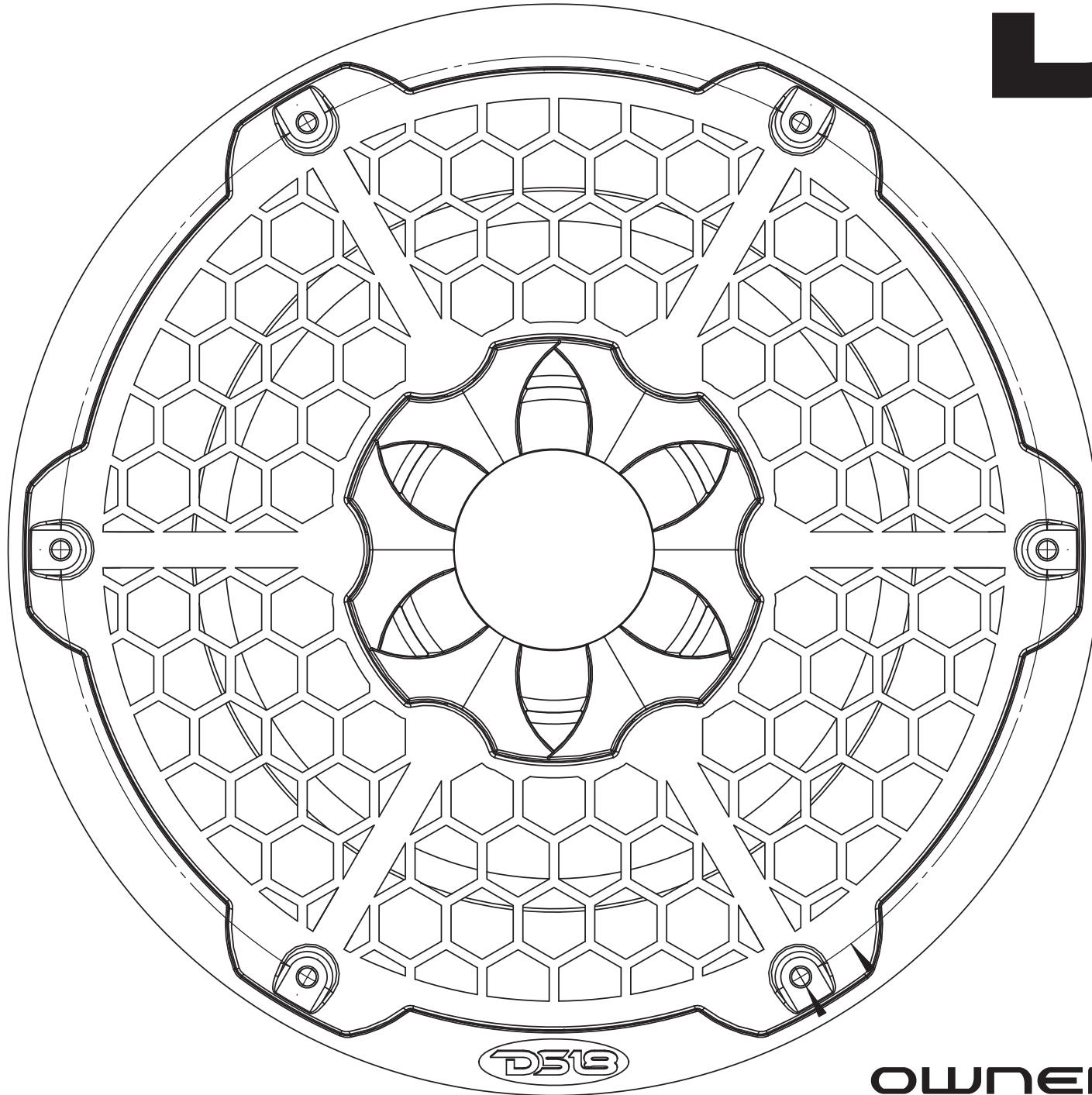


DS18

HYDRO



CF10SUB

MARINE &
ATV/UTV
10" MARINE
SUBWOOFER
WITH
RGB LIGHT

OWNER'S MANUAL

FEATURES

MODEL	TYPE	RMS/PEAK POWER
CF10	10" SUBWOOFER	300W/600W

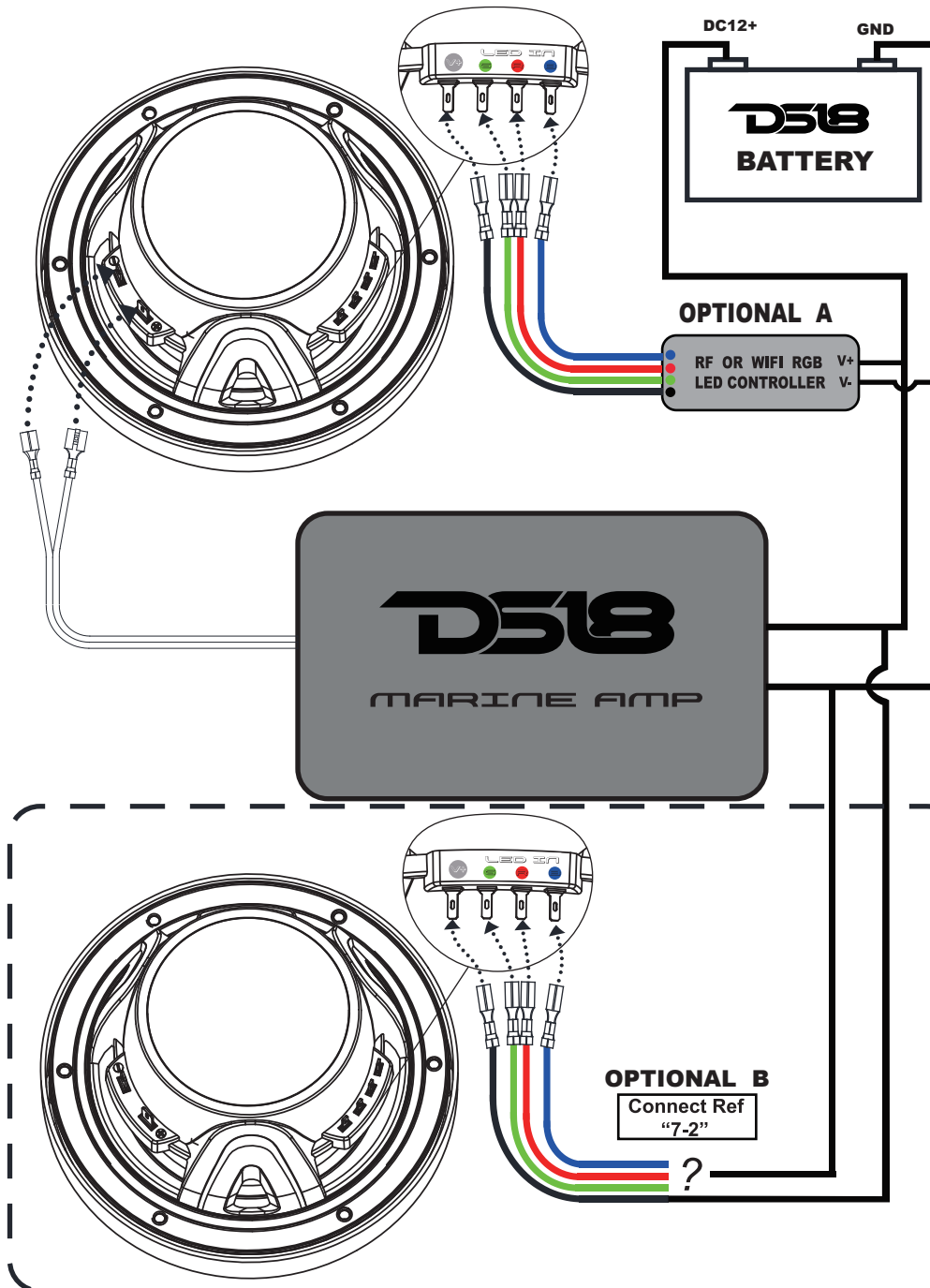
CF10 Features

- Marine/UTV 10" Subwoofer Speaker
- Continuous Power Handling 300W RMS
- Peak Music Power 600W MAX
- IP65 Marine Grade Compliant Specifications, 100% UV Stable
- Integrated RGB LED Lighting
- High Temp injection Molded Composite High Gloss Basket With UV Coating
- High Temp injection Molded Composite Grilles Black Carbon Fiber Texture with 316 Metal Mesh
- Motor Structure Use Y35 Ferrite Main Magnet
- Sensitivity: 88dB at 1W/1M
- Nominal Impedance: 4-Ohm
- Injection Molded, UV-Compliant, Polypropylene Cone, Butyl Surround
- RF Remote LED Controller Or WIFI Controller Option Available For Multi-Function RGB LED Lighting (Optional)

PACKING INCLUDE

- One Peices Marine/UTV Grade Subwoofer Speaker
- 1X1.5M #18 Speaker Input Wires With Fast Terminal
- 1X1.5M #22 RGB LED Power Input Wires With Fast Terminal
- 6XM5.2 Philips Inner Hex Head 304 Stailess Screw(4mm Hex Tool)
- Owners Manual

INSTALLATION



SPECIFICATIONS

MODEL	CF10
Nominal Diameter	10" (254)
Type	—
Nominal Impedance (Ohms)	4Ω
Frequency Response (Hz)	25-2 kHz
Voice Coil Diameter	2" (50.0mm)
Power Handling RMS/PEAK	300W/600W
Fs-Free Air Resonance (Hz)	40
Qts	0.62
Vas - cu.ft (Liter)	1.042 (29.5)
Sensitivity(1W/1M)	88dB
Xmax	0.5" (13mm)
Mounting Hole	7.87" (200mm)
Mounting Depth	5.02" (127.5mm)

We Reserve The Right To Change Products And Specifications At Any Time Without Notice. Images May Or May Not Include Optional Equipment

INSTALLATION

Installation Considerations before attempting Install,

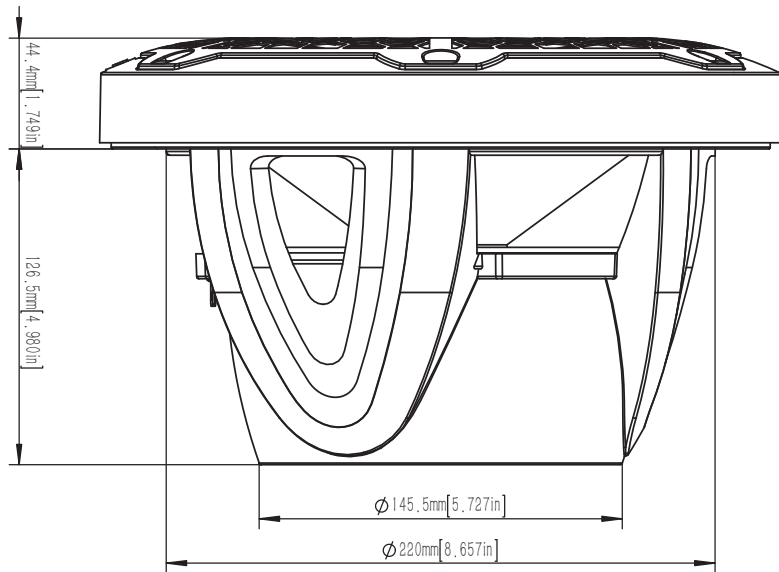
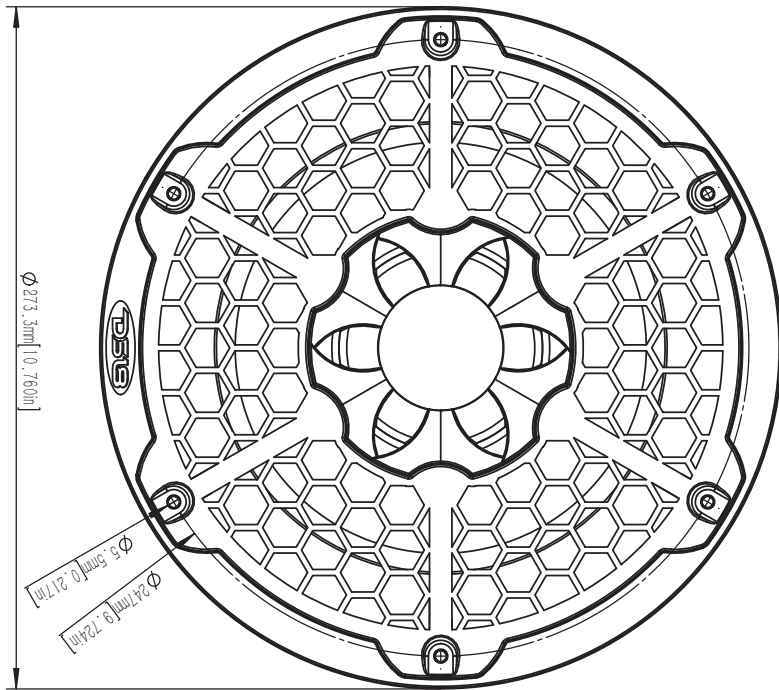
1. Be sure to carefully read and understand the instructions before attempting to install these speakers.
2. For safety, disconnect the negative battery terminal from the battery prior to beginning the installation.
3. For easier assembly, we suggest you run all wires prior to mounting speakers in place
4. Use high quality connectors for a reliable installation and to minimize signal or power loss.
5. Think before you drill! Be careful not to cut or drill into gas tanks, fuel lines, brake or hydraulic lines, vacuum lines or electrical wiring when working on any vehicle. If installation in a boat, take care not to cut or drill through the main hull.
6. Never run wires underneath the vehicle. Running the wires inside the vehicle or hull area provides the best protection.
7. Avoid running wires over or through sharp edges. Use rubber or plastic grommets to protect any wires routed through metal, especially the firewall.

Mounting

1. Determine where the speakers will be mounted. Ensure an area large enough for the speaker to mount evenly. Be sure that the mounting location is deep enough for the speaker to fit; only mount to a flat surface. Use extra caution when mounting on panels with urethane foam.
2. Refer to the specification chart to determine the proper diameter hole to cut for your speaker model.
3. Mark the locations for the mounting screws. Drill the holes with a 0.157" bit.
4. Feed the speaker wires through the cutout and connect to the speaker terminals. Be sure to observe proper polarity when connecting the wires. The speaker's positive terminal is indicated with a "+" .
5. Fit the speaker and mount into place using six (6) screws.
6. Tighten the screws until the speaker is snug in place
7. LED CONNECTIONS: There are two options to choose from:
 - 7-1, Connect RGB Wires To RF RGB LED Controller Or WIFI RGB LED Controller (Optional)
 - 7-2, Connect To Battery(DC12V), Speaker RGB LED Fast Terminal "V+" Connect To Battery Positive.
 - 1) Green Color: "G" Fast Terminal Connect to Battery Negative
 - 2) Red Color: "R" Fast Terminal Connect to Battery Negative
 - 3) Blue Color: "B" Fast Terminal Connect to Battery Negative
 - 4) Purple Color: "R" And "B" Fast Terminal Connect to Battery Negative
 - 5) Yellow Color: "R" And "G" Fast Terminal Connect to Battery Negative
 - 6) Cyan Color: "B" And "G" Fast Terminal Connect to Battery Negative
 - 7) White Color: "R" And "B" And "G" Fast Terminal Connect to Battery Negative

DIMENSIONS

CF10



△△FOR ALL
ELEMENTS ≡

DS18
HYDRO

FOR MORE INFORMATION
PLEASE VISIT

WWW.DS18.COM



#WELIKEITLOUD