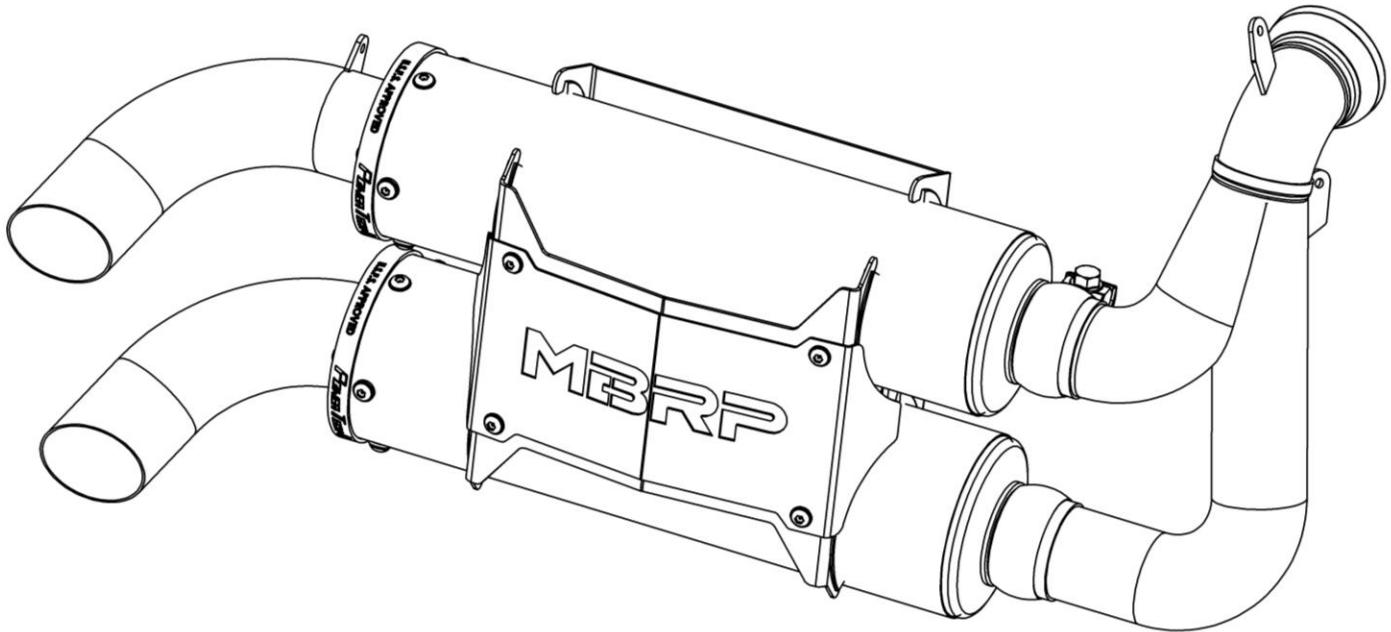


AT-9520PT

SLIP-ON DUAL EXHAUST ASSEMBLY
2015-UP POLARIS RZR 900

MBRP®



PLEASE READ BEFORE STARTING INSTALLATION

While MBRP Ltd. has made every effort to ensure that all components of this system are of superior quality and properly packaged, it is the installer's responsibility to ensure the following before removal of the factory exhaust:

- that ALL components shown above are present.
- that ALL mating components fit together.
- that there are no damaged components.
- that the system you have purchased is appropriate for your vehicle year, model and configuration.
- that the system will not interfere with any modifications previously installed or planned.
- that you have read and understand these instructions.

If you have any questions or are uncertain about any aspect of the installation of this system to your vehicle please contact your dealer before commencing installation.

MBRP®

Removal of Stock Exhaust:



Figure 1

1. Disconnect the tail light electrical plug located just behind the left rear frame rail under the bed. Remove the rear fascia from the vehicle.

Refer to Figure 1.

2. Remove the 2 springs securing the muffler inlet to the exhaust pipe. Remove the upper and lower springs securing the muffler to the vehicle. Do not discard them. Leave the gasket on the vehicle exhaust pipe.

Refer to Figure 2.

3. Remove the muffler by sliding the hangers out of the rubber isolators.



Figure 2

1. Slide the hanger rods into the rubber isolators on the vehicle and mate the **Muffler Assembly** inlet pipe to the end of the exhaust pipe.

Refer to Figure 3.

*If necessary, the position of the muffler support bracket can be adjusted by removing the logo plate and loosening the two 8mm bolts holding the brackets together. The rubber isolators also float in the vehicle mounting.

2. Secure the **Muffler Assembly** by attaching the previously removed spring at the left location, using the mounting tab on the upper tail pipe.

Refer to Figure 4.

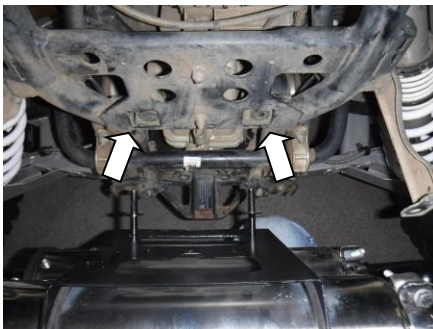


Figure 3

3. Secure the inlet using the previously removed stock springs. Do the lower first, hooking it into the tab on the Y-Pipe, then onto the vehicle loop. Hook the upper spring onto the vehicle first then pull back and hook into the tab on the Y-pipe.

Refer to Figure 5.

*If necessary, the inlet Y-pipe can be adjusted by loosening the muffler inlet clamps.

4. Secure the **Muffler Assembly** by attaching the previously removed spring at the lower location, using the mounting hole in the support bracket.

Refer to Figure 6.



Figure 4

5. You have the option of trimming the factory fascia and removing the lower fascia mounting brackets to expose your beautiful new exhaust and for additional cooling. Cut along the bottom of the valley in the fascia below the mounting bolts.

Refer to Figure 7.

6. Reinstall the fascia and re-connect the tail lights.

Refer to Figure 8 (uncut fascia shown).

7. Ensure there is adequate clearance between the exhaust system and other parts of the vehicle or accessories. The mufflers can be rotated as explained in steps 1 and 3 if necessary.

MBRP®

Note: It is recommended that the muffler screws be retightened after the first ride and checked periodically thereafter, tightening if necessary.



Figure 5



Figure 6



Figure 7



Figure 8

Congratulations! You are ready to begin experiencing the improved performance and driving excitement of your MBRP Ltd. ATV Exhaust upgrade. We know you will enjoy your purchase.



Figure 1



Figure 2



Figure 3



Figure 4

Spark Arrester Maintenance

In order to maintain optimal performance, the spark arrester screen should be cleaned after the first 3 hours of use. Afterwards, clean every 30-35 hours of use.

Clean-out Instructions:

Make sure the vehicle is cool before completing the clean-out procedure.

1. Using a 4mm hex key, remove the 4 screws securing the outlet cap or tip. **(Figure 1)**
2. Remove the outlet cap to expose the spark arrester screen insert. **(Figure 2)**
3. Remove the screen insert. **(Figure 3)**
4. Using a wire brush, thoroughly brush the screen to remove residue. **(Figure 4)**
5. Replace the screen and cap.
6. Tighten the screws to 60 in-lbs (6.8 Nm).